

## Grain hopper, 95 m<sup>3</sup>, Tagnpps



### Advantages

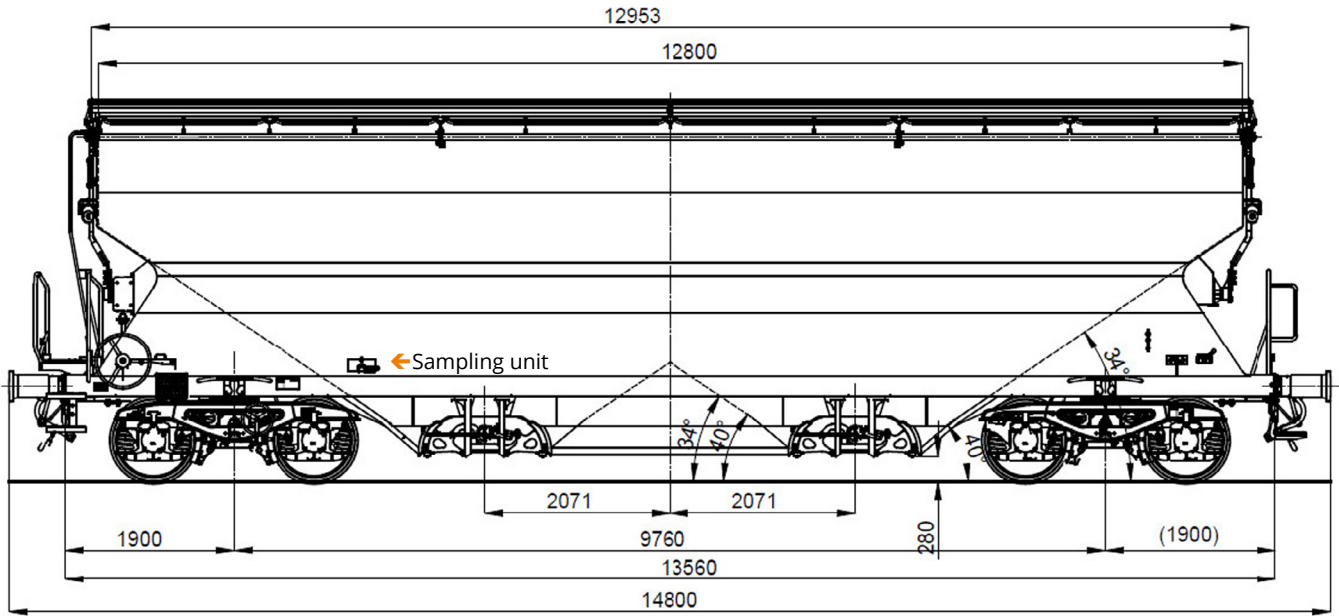
- Ideal for products with high bulk density
- Easier and more efficient loading thanks to a loading opening with a width of 800 mm (Standard only: 450 mm)
- Faster and more efficient discharge thanks to larger discharge openings compared to other wagons on the market
- Easier handling thanks to floor-operable wagon roof
- The optional sampler unit enables you to obtain cargo samples very quickly and easily



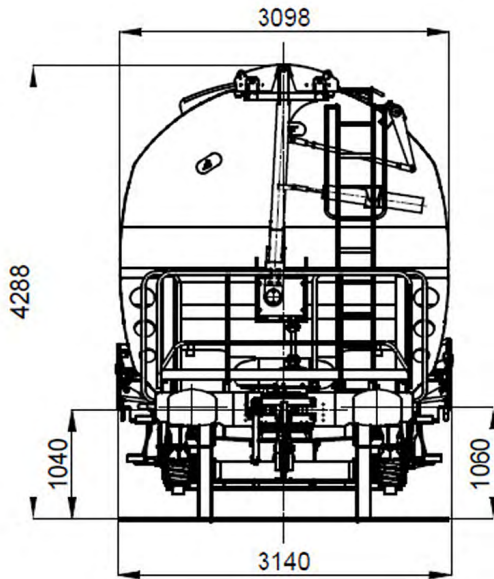
Payload					Technical data			
Load limits		A	B	C	D	Wheelsets	BA 004 (Ø neu: 920 mm)	
	S	44.1 t	52.1 t	62.1 t	70.1 t	UIC-Profile	TEN GE, G1	
	120	00,0 t				Brake	KE-GP-A-K	
Tare weight	19,900 kg +/-2%						Brake pads	Cosid 810 Typ S 517
Max. payload	70,100 kg						Handbrake	floor operable
Max. weight per 1 m wagon length (at 22.5 t RSL)	6,081 kg						Bogies	Y25 Lsdi(f)-KC1
Dimensions								
Length over buffers	14,800 mm							
Length of the undercarriage	13,560 mm							
Width of loading opening	800 mm							
Length of loading opening	12,800 mm							
Number of loading openings	2							
Dimensions of discharge openings	2 x 320 x 1350 mm							
Track gauge	1,435 mm							
Axle load	22.5 t							
Minimum radius	35 m							
Loading space	95m <sup>3</sup>							

Optional sampling unit at the wagon side

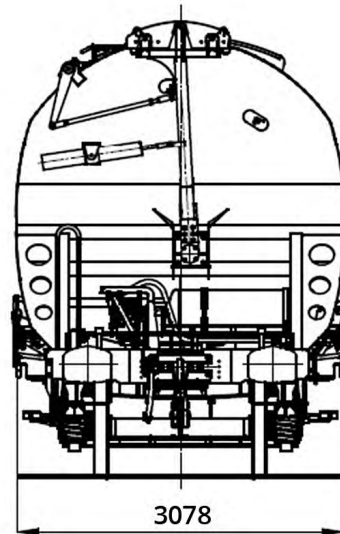
## Sideview



## View Brake-end



## View Non-brake-end



## Ideal for the transport of

Products with high bulk density

- Wheat
- Maize
- Barley
- Rye
- Soya beans
- Peas
- Beans