

## Super Jumbo tank wagon, 98 m<sup>3</sup>, Zacns

For the transport of light petrochemical and mineral oil products



### Advantages

- Ideal for products with a low specific gravity
- High payloads over category C (>60.4 t) and category D (>68.0 t) lines thanks to low tare weight
- Derailment detector as optional safety equipment
- Without ladder, mobile ladder as option



### Payload

Load limits	A	B	C	D
S	42.4 t	50.4t	60.4 t	68.0 t
120	00.0 t			

Tare weight 21,800 kg +/- 2%

### Dimensions

Length over buffers	16,400 mm
Outer axle base	13,160 mm
Track gauge	1,435 mm
Minimum radius	35 m
Axle load	22.5 t
Tank material	Steel P355N
Tank capacity	98,000 L
Tank code	L4BH
Calculated pressure	4 bar
Max. working pressure	3 bar
Calculated temperature	-20° C / +50° C

### Technical data

Wheelsets	BA 004 (Ø new: 920 mm)
UIC profile	TEN GE, G1
Brake	Knorr KE-GP
Brake blocks	Cosid 810 BGU (250 mm)
Hand brake	20 t
Bogie	Y25 Lsd, H-frames
Safety features	Optional crash buffers, buffer override protection, derailment detector

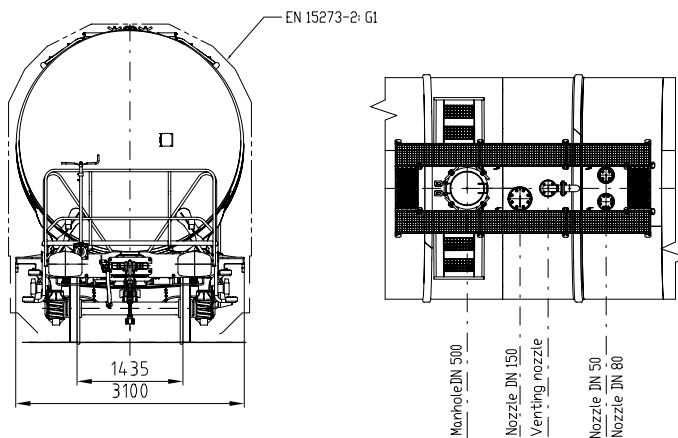
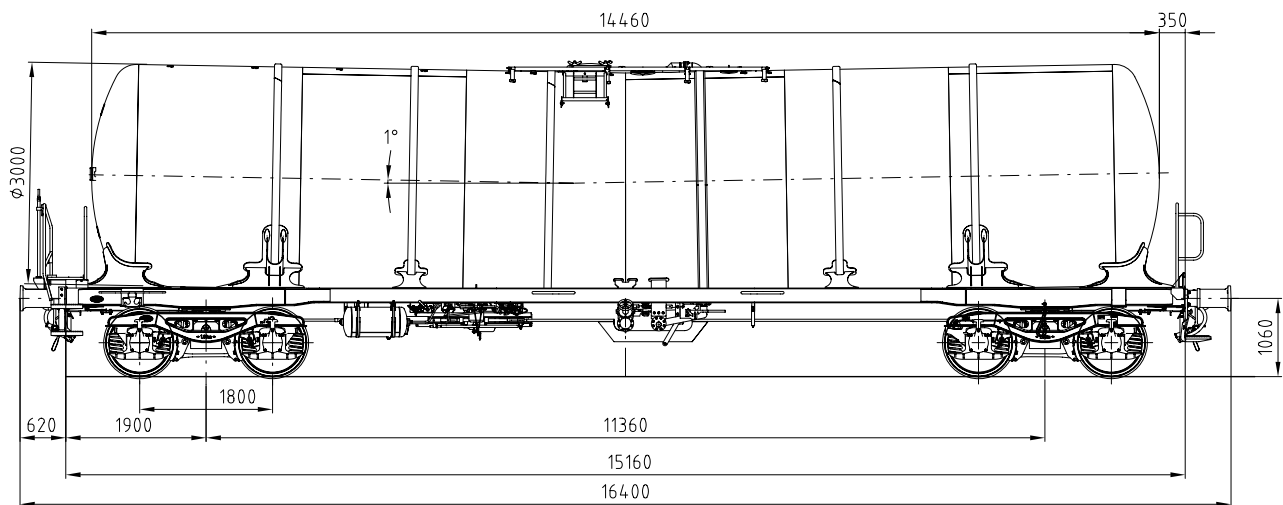


Optional: telematics for more efficient operations, optimal maintenance and to avoid critical events.

## Equipment

Manhole	DN500, 4 manlid screws
Bottom valve	Perolo DN 125/100, mechanically operated
T drain line	DN 100
Side valves	DN 100 with end closures W 5 1/2"
Vent valve, automatic activation together with the bottom valve	Perolo
DN50 Forced ventilation pipe with safety check valve	DN 50, with dust cap
1x siphon tube nozzle with blind flange	DN 150
Alt. siphon tube, ball valve or TODO coupling and pressure-tight cap	DN 150/80
1x blind flange	DN 50
Alt. ball valve or TODO coupling and pressure-tight cap	DN 80/DN 50 oder DN 50
1x blind flange	DN 80

## Super Jumbo tank wagon, 98m<sup>3</sup>



### Optimal for the transport

- Optimal for products with low specific density from 0.75 to 0.81 t/m<sup>3</sup>
- Light petroleum distillates
  - Gasolines
  - Ethanol
  - Acetone
  - Jet A-1 or jet fuels